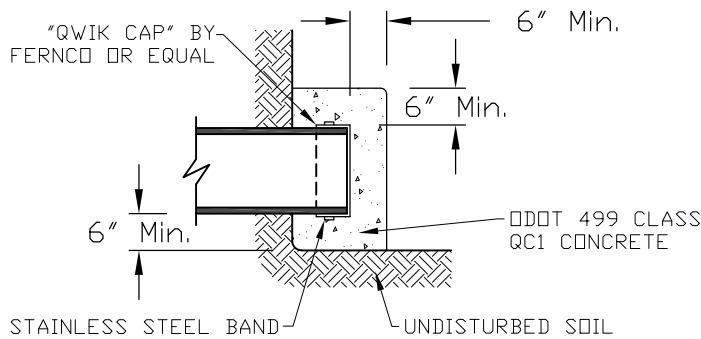
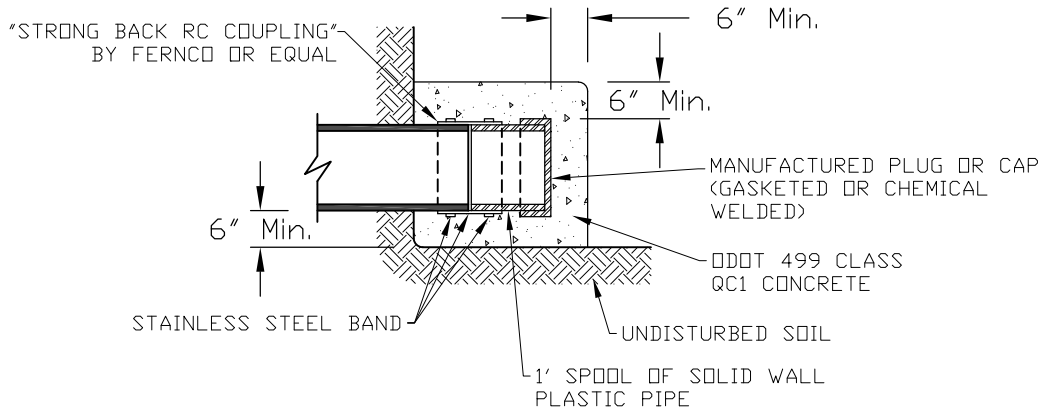


ALL PLASTIC PIPE



PIPES 12.79" OD AND SMALLER
(NOT INCLUDING PLASTIC)



PIPES OVER 12.79" OD
(NOT INCLUDING PLASTIC)

WATERTIGHT SEWER PLUGS

(FOR SEWERS CONNECTED TO ACTIVE SEWERS)

NOTE:

STEEL FENCE POST OR 2"x2" WYE POLE WITH PK NAIL IN TOP SHALL BE PLACED AT THE PLUG/CAP AND EXTEND TO WITHIN 12 INCHES OF FINISHED GRADE.

**SANITARY SEWER CAP
STANDARD DRAWING
SCALE: NTS
SS 1.0**

APPROVED BY: J. BISCHOFF

APPROVED DATE: 1/24/2024

REVISIONS: 0.0

